

Technical data sheet

Product features



Pot and pan washer double skin with drain pump 50x60 - 400 V

Model	SAP Code	00014557
--------------	-----------------	----------



- To the product for free: 1x RM Clean+ 12 kg (00012271) and 1x RM Rinse+ 10 kg (00012273)
- Display type: ProScreen - 4 digit display + 2 LED bars
- Number of programs: 10
- Number of skin: 2
- Door clear height [mm]: 400
- Rack size [mm]: 500 x 600
- Water consumption of the washing cycle [l/basket]: 2,4-3,5
- Washing cycle time [s/basket]: 60 - 720
- Detergent and rinse pump system: ProDose - accurate dosing with a peristaltic pump
- Wash pump type: two-way - DuoFlow
- Self-cleaning cycle: Yes
- Drain filter: ArchiMedes - double filtration with overflow discharge ensures only 18% loss of clean water to waste

SAP Code	00014557	Boiler power [kW]	7.000
Net Width [mm]	600	Basin volume [l]	23
Net Depth [mm]	700	Tank power [kW]	2.100
Net Height [mm]	1290	Water consumption of the washing cycle [l/basket]	2,4-3,5
Net Weight [kg]	72.00	Washing cycle time [s/basket]	60 - 720
Power electric [kW]	9.800	Door clear height [mm]	400
Loading	400 V / 3N - 50 Hz	Rack size [mm]	500 x 600
Boiler capacity [l]	6.00	Noise of device	49,0

Technical data sheet

Technical drawing

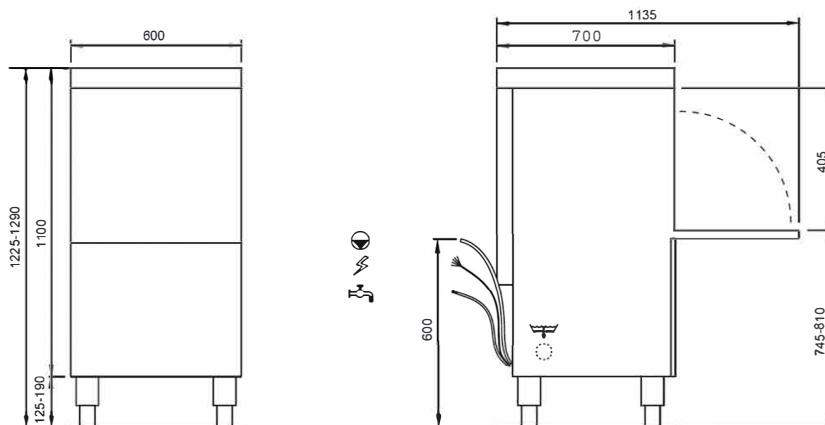


Pot and pan washer double skin with drain pump 50x60 - 400 V

Model

SAP Code

00014557



Technical data sheet

Technical parameters



Pot and pan washer double skin with drain pump 50x60 - 400 V

Model	SAP Code	00014557
-------	----------	----------

1. SAP Code:

00014557

2. Net Width [mm]:

600

3. Net Depth [mm]:

700

4. Net Height [mm]:

1290

5. Net Weight [kg]:

72.00

6. Gross Width [mm]:

700

7. Gross depth [mm]:

800

8. Gross Height [mm]:

1250

9. Gross Weight [kg]:

78.00

10. Device type:

Electric unit

11. Control type:

Digital

12. Material:

AISI 304

13. Power electric [kW]:

9.800

14. Loading:

400 V / 3N - 50 Hz

15. Number of programs:

10

16. Opening of device:

Tilting down

17. Door clear height [mm]:

400

18. Inlet pressure [bar]:

2-4

19. Adjustable feet:

Yes

20. Number of skin:

2

21. Self-cleaning cycle:

Yes

22. Boiler capacity [l]:

6.00

23. Boiler power [kW]:

7.000

24. Basin volume [l]:

23

25. Tank power [kW]:

2.100

26. Number of arms for both rinsing and washing:

2

27. Arm connection:

Click-clack - easy removal with one hand

28. Washing arm type:

Rotating trident

Technical data sheet

Technical parameters



Pot and pan washer double skin with drain pump 50x60 - 400 V

Model	SAP Code	00014557
--------------	-----------------	----------

29. Washing arm material:

Composite

30. Rinsing arm type:

Rotating trident

31. Rinsing arm material:

Composite

32. Deep drawn tank:

Yes

33. Rack support:

Pressed

34. Tank surface strainers:

composite

35. Drain filter:

ArchiMedes - double filtration with overflow discharge ensures only 18% loss of clean water to waste

36. Thermostop:

Yes

37. Boiler thermostat adjust:

Yes

38. Detergent and rinse pump system:

ProDose - accurate dosing with a peristaltic pump

39. Energy Saving system:

EnergySaving - Energy saving system due to lowering the boiler temperature

40. Heating system:

HotWash - System of simultaneous operation of the heating element of the bath and the boiler, reducing the time for starting the next cycle

41. Hot water electric valve:

Yes

42. Rack size [mm]:

500 x 600

43. Display type:

ProScreen - 4 digit display + 2 LED bars

44. USB port:

Yes, for Firmware actualisation

45. Drain pump:

Yes

46. Self-diagnostics:

Yes

47. Wash pump type:

two-way - DuoFlow

48. Detergent dispenser:

Yes

49. Rinse aid dispenser:

Yes

50. Water consumption of the washing cycle [l/basket]:

2,4-3,5

51. Washing cycle time [s/basket]:

60 - 720

52. Rinse water temperature [°C]:

80-85

53. Standard equipment for device:

Basket 500 x 600 mm; stainless steel insert for GN is not part of the dishwasher

54. Program ProFessional 2:

Yes

Technical data sheet

Technical parameters



Pot and pan washer double skin with drain pump 50x60 - 400 V

Model

SAP Code

00014557

55. Program ProFessional 4:

Yes

62. Program ProActive 5:

Yes

56. Program ProFessional 6:

Yes

63. Program ProActive 7:

Yes

57. Program ProClean:

Yes

64. Noise of device:

49,0

58. Program ProDrain:

Yes

65. Cross-section of conductors CU [mm²]:

2

- Výkon (kW): 9-11 (230 V); 15-19 (400 V)

59. Program ProEco:

Yes

66. Water supply connection:

3/4"

60. Program ProLong:

Yes

67. Diameter nominal:

DN 50

61. Program ProPlates:

Yes